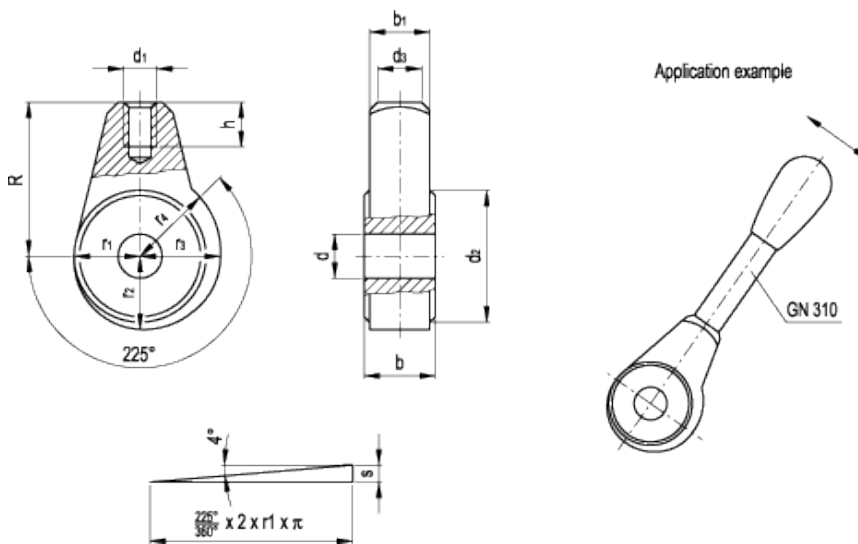


GN 919

Hubs with eccentric cam



technical informations

Material

Sintered and case-hardened black-oxide steel.

Applications

GN 919 hubs with eccentric cam are used for adjusting and clamping operations.

Standard Elements	Main dimensions													Weight
Description	d_2	d_{H9}	$b^{-0.05-0.15}$	b_1	d_1	d_3	R	r_1	r_2	r_3	r_4	s	h	g
GN 919-24-B8	24	8	13	11	M6	8	28	12	13.32	14.64	15.3	3.3	9	59
GN 919-30-B10	30	10	15	13	M8	10	32	15	16.65	18.3	19.12	4.1	12	100
GN 919-35-B12	35	12	17	15	M10	12	36	17.5	19.42	21.34	22.31	4.8	15	150



ELESA and GANTER models all rights reserved in accordance with the law. Always mention the source when reproducing our drawings.

STANDARD MACHINE ELEMENTS WORLDWIDE